

Overload Detection

Ron 1000 Hook Type Overload Detector

TECHNICAL SPECIFICATIONS



Safety Factor: 5:1. Each system proof-loaded to 200% of capacity (certified).

Switching Nature: Normally open and normally closed.

Rating: 0.5A @ 50 VDC, 0.5A @ 125 VAC.

Life Expectancy: Electrical: over 1 million operations. Mechanical: over 5 million operations.

Environment: Weatherproof, NEMA 4, IP 65.

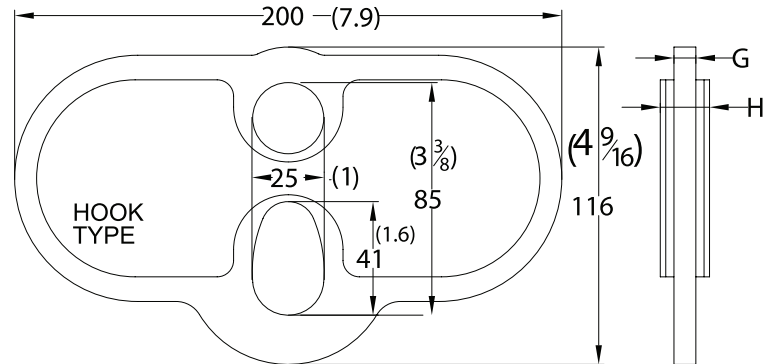
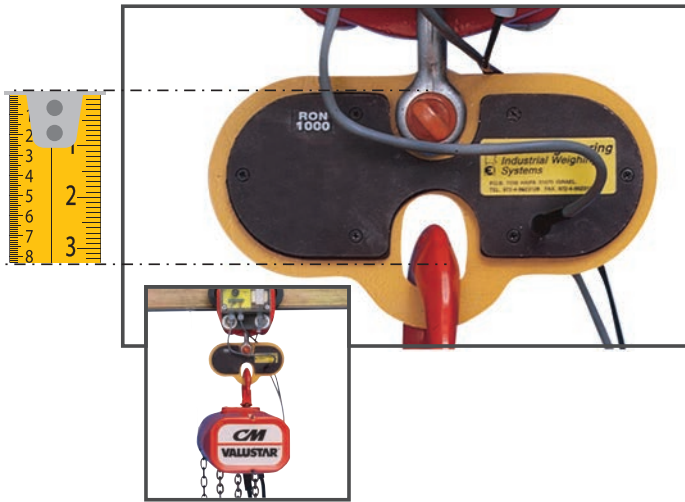
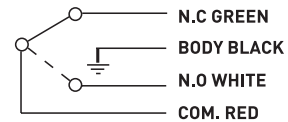
Overload Detection Point: Default: 100% to 110% of capacity.

Temperature Range: -4°F to +175°F (-20°C to + 80°C).

Cable Length: 9.5' (3m).

Material: High strength steel.

Wiring:



Cat no.	Capacity	G Max		H Max	
	tons	mm.	inch	mm.	inch
H-002	0.25	7	5/16	19	3/4
H-005	0.5	7	5/16	19	3/4
H-007	0.75	7	5/16	19	3/4
H-008	0.8	7	5/16	19	3/4
H-01	1.0	7	5/16	19	3/4
H-012	1.25	7	5/16	19	3/4

Cat no.	Capacity	G Max		H Max	
	tons	mm.	inch	mm.	inch
H-015	1.5	9	3/8	21	13/16
H-016	1.6	9	3/8	21	13/16
H-02	2.0	11	7/16	23	7/8
H-025	2.5	13	9/16	25	1
H-03	3.0	15	5/8	27	1 1/16
H-032	3.2	15	5/8	27	1 1/16

OPTIONS



> Additional detection point.

> The company reserves the right to make changes without notice.