

Overload Detection

Ron 1000 Standard Type Overload and / or Underload Detector

TECHNICAL SPECIFICATIONS



Safety Factor: 5:1. Each system proof-loaded to 200% of capacity (certified).

Switching Nature: Normally open and normally closed.

Rating: 0.5A @ 50 VDC, 0.5A @ 125 VAC.

Life Expectancy: Electrical: over 1 million operations. Mechanical: over 5 million operations.

Environment: Weatherproof, NEMA 4, IP 65.

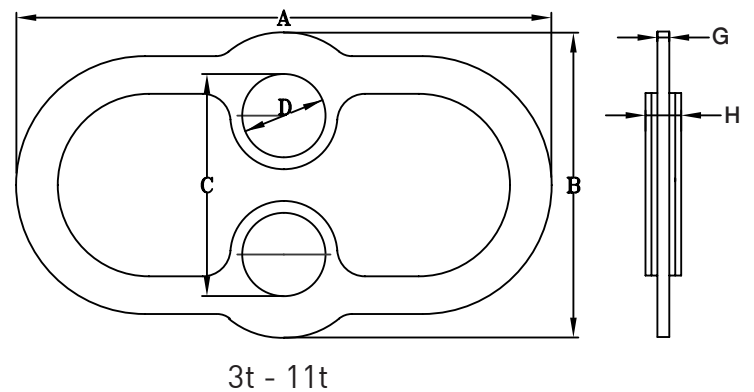
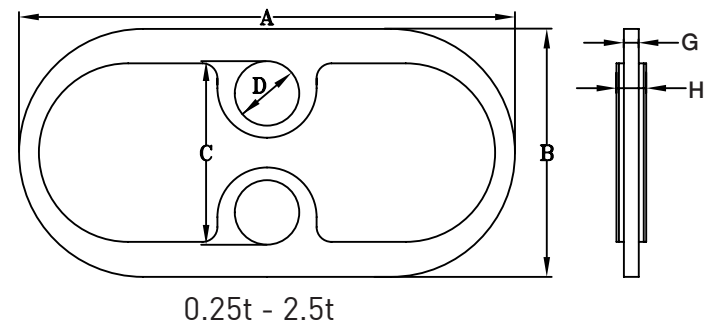
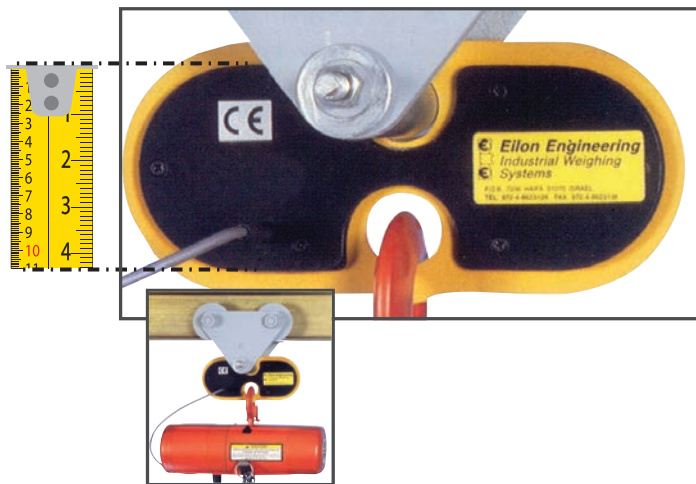
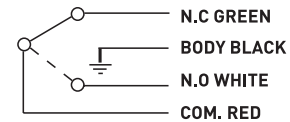
Overload Detection Point: Default: 100% to 110% of capacity.

Temperature Range: -4°F to +175°F (-20°C to + 80°C).

Cable Length: 9.5' (3m).

Material: High strength steel.

Wiring:



Cat no.	Capacity	G Max		H Max	
	tons	mm.	inch	mm.	inch
S-002	0.25	5	0.2	33	1.3
S-005	0.5	5	0.2	33	1.3
S-007	0.75	7	0.3	35	1.4
S-008	0.8	7	0.3	35	1.4
S-01	1.0	7	0.3	35	1.4
S-012	1.25	7	0.3	35	1.4
S-015	1.5	9	0.4	37	1.5
S-016	1.6	9	0.4	37	1.5
S-02	2.0	9	0.4	37	1.5
S-025	2.5	9	0.4	37	1.5
S-03	3.0	5	0.2	33	1.3
S-032	3.2	5	0.2	33	1.3
S-04	4	7	0.3	35	1.4
S-05	5	7	0.3	35	1.4
S-06	6	9	0.4	37	1.5
S-07	7	11	0.5	39	1.6
S-08	8	11	0.5	39	1.6
S-09	9	13	0.6	41	1.7
S-10	10	13	0.6	41	1.7
S-11	11	15	0.7	43	1.8

> The company reserves the right to make changes without notice.

OPTIONS



> Additional detection point.