

## Load Monitoring - Load Cells

### Ron 4000 Load Cell with built-in Amplifier

**Ron 4000C** 4-20mA Output | **Ron 4000V** 0-2V Output | **Ron 4000VC** 0-2V + 4-20mA Outputs

#### TECHNICAL SPECIFICATIONS



**Safety Factor:** 5:1.

**Proof Load:** Each system proof-loaded to 200% of capacity (certified) up to a test force of 400t.

**Load Cell Material:** High-strength, aerospace quality alloy steel, polyurethane coated.

Linearity: 0.1% f.s

Input: 9 to 48 vdc

**Output:** 0 to 2v. Options: 4 to 20mA, 0 to 2v + 4 to 20mA.

**Cable:** supplied with 9' (3m) cable.

**Temperature Range:** -15°F to +175°F (-25°C to +80°C).

**Environmental:** Weatherproof, NEMA 4, IP 65.

**Calibration:** Supplied with approximate calibration (final calibration is performed by the customer, after connecting the load cell to the measuring / control system).

Zero load =  $0 \pm 0.05\text{v}$ ,  $4 \pm 0.2\text{mA}$ . Full load =  $2 - 0.1\text{v}$ ,  $20 - 1\text{mA}$ .

**Max. Input Current:** 100mA.

**Wiring:**

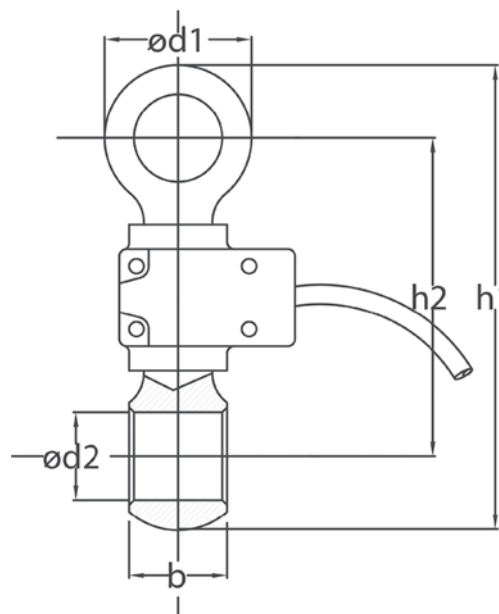
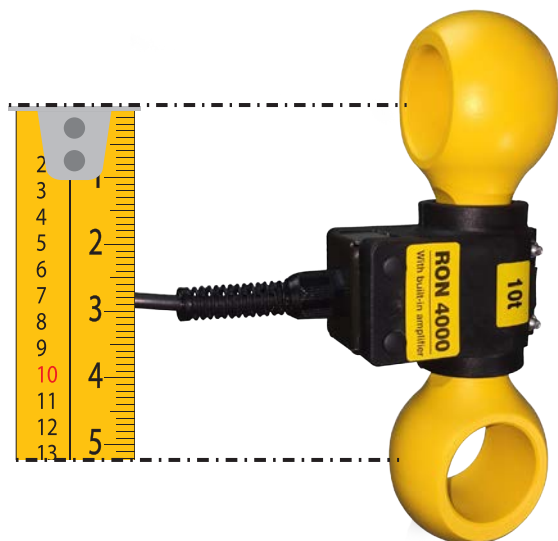
Input voltage Red

Common Black

Output V White

Output A Green

Body without insulation



Cat no.	Full range		Resolution		Load Cell weight		H1 (max.)		H2 (max.)		B (max.)		Ø D1 (max.)		Ø D2 (min.)		Matching anchor shackle size*
	tons	kgs	lbs	kgs	lbs	mm	inch	mm	inch	mm	inch	mm	inch	mm	inch	inch	
S-005	0.5	0.2	0.5	0.3	0.7	125	4.9	92	3.7	16	0.7	31	1.3	17	0.66	1/2 7/16 3/8	
S-01	1	0.5	1	0.3	0.7	125	4.9	92	3.7	16	0.7	31	1.3	17	0.66	1/2 7/16 3/8	
S-02	2	1	2	0.3	0.7	125	4.9	92	3.7	16	0.7	31	1.3	17	0.66	1/2 7/16 3/8	
S-03	3	1	2	0.3	0.7	137	5.4	100	4	19	0.75	38	1.5	21	0.82	5/8 1/2	
S-05	5	2	5	0.5	1	147	5.8	105	4.2	26	1	43	1.7	23	0.9	3/4 5/8	
S-10	10	5	10	1.4	3.1	195	7.7	131	5.2	41	1.6	61	2.4	36	1.4	1 1/4 1 1/8 1	
S-12	12.5	5	10	1.4	3.1	195	7.7	131	5.2	41	1.6	61	2.4	36	1.4	1 1/4 1 1/8 1	
S-15	15	5	10	2.5	5.5	220	8.7	141	5.6	45	1.7	74	3	40	1.5	1 3/8 1 1/4 1 1/8	
S-20	20	10	20	2.5	5.5	220	8.7	141	5.6	45	1.7	74	3	40	1.5	1 3/8	
S-25	25	10	20	3.7	8	240	9.4	150	5.9	58	2.3	87	3.4	44	1.7	1 1/2	
S-30	30	10	20	3.7	8	240	9.4	150	5.9	58	2.3	87	3.4	44	1.7	1 1/2	
S-40	40	20	50	8	17	320	12.6	195	7.7	71	2.8	115	4.5	60	2.3	2 1 3/4	
S-50	50	20	50	8	17	320	12.6	195	7.7	71	2.8	115	4.5	60	2.3	2	
S-80	80	50	100	18	40	405	16.9	255	10	97	3.8	145	5.7	76	3	2 1/2	
S-100	100	50	100	28	60	450	17.7	275	10.8	121	4.8	165	6.5	81	3.18	CROSBY No. 2160 125t	
S-125	125	50	100	28	60	450	17.7	275	10.8	121	4.8	165	6.5	81	3.18	CROSBY No. 2160 125t	
S-200	200	100	200	57	121	575	22.6	350	13.8	145	5.7	210	8.3	106	4.2	CROSBY No. 2160 200t	
S-250	250	100	200	106	225	800	31.5	490	19.3	178	7.0	260	10.2	138	5.4	CROSBY No. 2140 250t or No. 2160 300t	
S-300	300	100	200	106	225	800	31.5	490	19.3	178	7.0	260	10.2	138	5.4	CROSBY No. 2160 300t	

> USE SHACKLES WITH S.W.L. (SAFE WORKING LOAD) EQUAL TO, OR GREATER THAN SYSTEM'S FULL RANGE.

> The company reserves the right to make changes without notice.

## OPTIONS



> Carrying case: Pelican or equivalent.